



Movexx **T3500-Plattform**
PARTS & OPTIONS
2021 v1

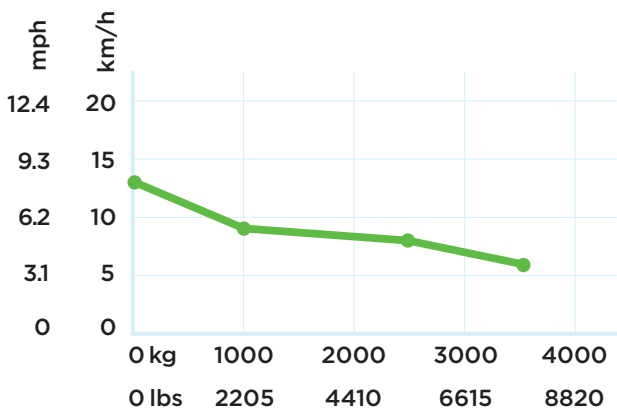
Specifications

Technical details

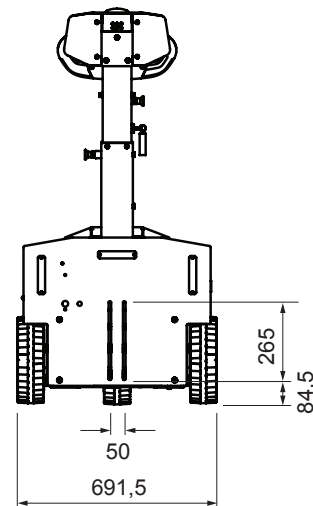
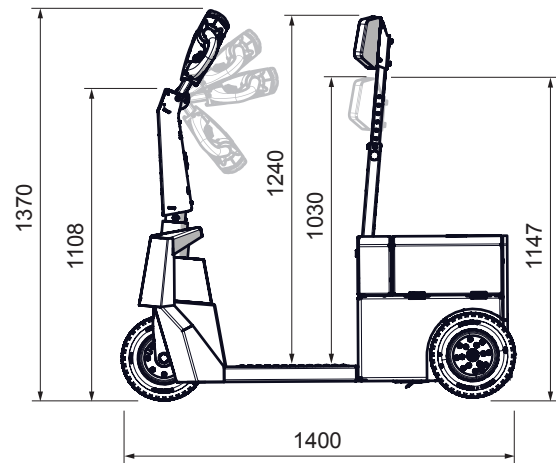
Frame	Steel, powder coated
Drive	24V AC; 1700W 1:32; S2
Weight	471 kg (1 038.4 lbs)
Max. pulling force	4000 N
Weight trailer	3500 kg (7716.2 lbs)
Battery	Exchangeable battery pack
Speed Max. with load	6 km/h (3.7 mph)
Speed Max. without load	13 km/h (8.1 mph)
Drive wheels	Full rubber Ø 300 x 90 mm (11.8 x 3.5 in)
Turning circle	2674 mm (105.3 in)
Adze height	1042 - 1184 mm (41 - 46.6 in)
Noise level	68 dB
To use from	-10° / 40° C (14° / 104° F)

© 2021 Movexx International B.V. The images shown are used for illustration purposes only and may differ from the products indicated. No rights can therefore be derived from it. Printing errors are subjected to change. The datasheet is the confidential product of Movexx International B.V. and no portion of this datasheet may be copied, performed, or redistributed without the express written authority of Movexx International B.V.

Pulling power



Dimensions



Standard parts



AC Motor 1700W / 140rpm
with brake
Item number M3835



LCD battery indicator
(build-in)
Item number M3928



Battery Lithium (LiFePO4)
25,6V / 120Ah
Item number M2911



Charger (internal)
Lithium battery 25,6V/20A
+ external indicator
Item number M3650



Drive wheel, full rubber
non-marking
Gray Ø 300 x 90 mm
Item number M3836



Steering wheel, full rubber
non-marking
Gray Ø 300 x 90 mm
Item number M3950

Standard parts



Adjustable tiller head
Item no M3927



Belly button BLACK
Item number M0121-3



Emergency stop
Item number 333779

Options



Storage system
(max. 5 kg)
Item number OPT0490



Control panel
Item number OPT0512

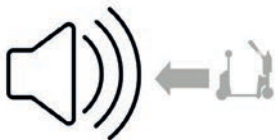
Options



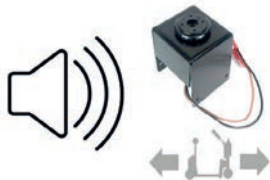
7-pin trailer plug
Item number 333805



Audio signal
(while driving forward)
Item number 334004



Audio signal
(driving backward)
Item number 333814



Audio signal
(while driving)
Item number 333815



Antistatic strip
Item number OPT0058



10" Tablet holder
Item number 334449

Options



Drinkcup holder
Item number 334568



Scanner holder
Item number 334447



Code lock
Item number 334318



Brake release in
Tiller head
Item number 334006



Light kit complete
Item number 333609



Light kit front & rear
Item number 334340

Options



Preparation electric hook
Item number 333766



Programmer for Curtis
Item number M3167



USB charger for phone and tablet
Item number 334017



U-frame for waste container 1000 l. / 1100 l.
Item number OPT0088



Urgent order purchase
Item number SPOED



Safety set - foam edges
Item number 334358

Batteries and Chargers



Battery Lithium (LiFePO4)
25,6V / 120Ah
Item number M2911



Charger (internal)
Lithium battery 25,6V/20A
+ external indicator
Item number M3650



Roll-on/off preparation
T3500-Platform
(incl. 1 Lithium battery pack 25,6V / 120Ah)
Item number 335994

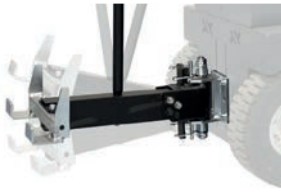


Lithium Charging station
roll-on/off (incl. 1 battery pack 25,6V / 120Ah)
Normal charging 20A
Item number 335989



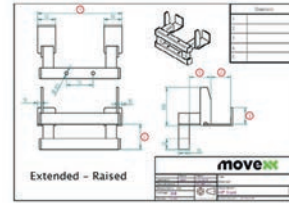
Lithium Charging station
roll-on/off (incl. 1 battery pack 25,6V / 120Ah)
Normal charging 40A
Item number 335990

Adapters

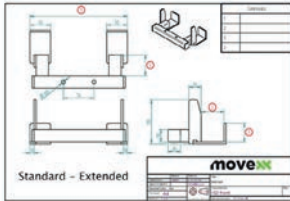


Base part hook 90°
(manual controle)
Item number 336314

Adapters



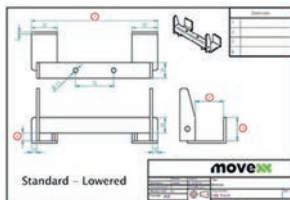
Customized hook
(extended/raised)
*Please complete
corresponding sheet*
Item number HF5000



Customized hook
*Please complete
corresponding sheet*
Item number HA5000



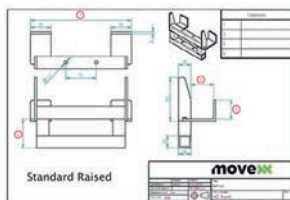
Hitchball Ø 50mm
(incl. adapter)
Item number H0068



Customized hook (low)
*Please complete
corresponding sheet*
Item number HB5000



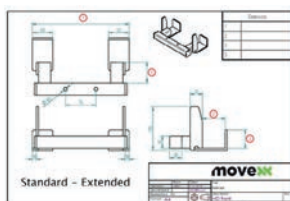
Electric height adjustment,
Stroke 100 mm,
Actuator 900 N
Item number OPT0506



Customized hook (raised)
*Please complete
corresponding sheet*
Item number HC5000



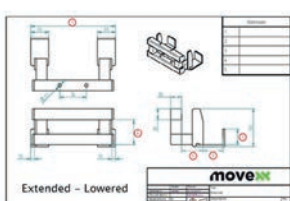
Electric height adjustment,
Sprung, Stroke 100 mm,
Actuator 900 N
(gas spring 200 N)
Item number 336315



Customized hook
(extended)
*Please complete
corresponding sheet*
Item number HD5000



Electric locking module
for hook
Item number OPT0129



Customized hook
(extended/low)
*Please complete
corresponding sheet*
Item number HE5000



Towbar for Movexx
e-frame
(suitable for OPT0067)
Item number H0070

Adapters



Pen for drawbar Ø20
Item number H0161



Trailer coupling, pen Ø25
Item number H0062



Trailer coupling, pen Ø32
Item number H0146



Trailer coupling, pen Ø25
Item number H0149

Most common spareparts



Charger (internal)
Lithium battery 25,6V/20A
+ external indicator
Item number M3650



Belly button BLACK
Item number M0121-3



Switch buttons (2x) green
Item number M0121-KNOP-GROEN



Switch tiller head
excl. buttons
Item number M0121-FLIPPER



Feather/shaft Throttle
Item number M0121-4

Most common spareparts



Battery Lithium (LiFePO4)
25,6V / 120Ah
Item number M2911



Switch FAST/SLOW
tiller head green
Item number M0121-SPEED-GROEN

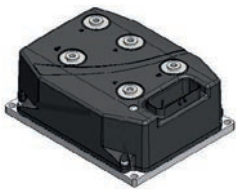
Most common spareparts



Switch ON/OFF
tiller head green
Item number
M0121-AANUIT-GROEN



Torsion spring for hook
Item number **M0116-SP**



Curtis drive controller
DC 24V
Item number **M3932**



Fuse 5A
Item number **M0506**

Most common spareparts



Fuse Maxi 80A
Item number **M0191**



Chassis cable charger
Item no **M0158-Stekker**



Drive wheel, full rubber
non-marking
Gray Ø 300 x 90 mm
Item number **M3836**



Steering wheel, full rubber
non-marking
Gray Ø 300 x 90 mm
Item number **M3950**

applications



moveXX
driven by brain power

Generatorstraat 17-19
3903 LH Veenendaal
The Netherlands

T +31 (0)318 519900
E info@movexx.com
W www.movexx.com

