



Movexx **T2500-P**  
PARTS & OPTIONS  
**2020** v2

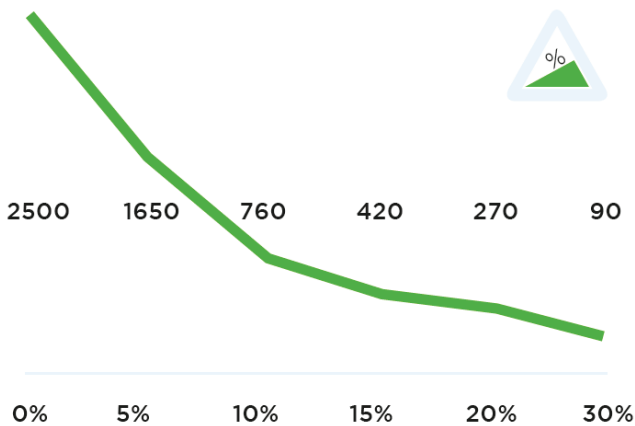
## Specifications

### Technical details

<b>Frame</b>	Steel, powder coated
<b>Motor</b>	24V DC, 600W, 100 rpm
<b>Weight</b>	131 kg (288.8 lbs)
<b>Max. pulling force</b>	800 N
<b>Weight trailer</b>	Max. 2500 kg (5511.5 lbs)
<b>Battery</b>	Exchangeable battery pack
<b>Speed Max.</b>	3,8 km/h (2.4 mph)
<b>Drive wheels</b>	Vulcalon Ø 200 x 50 mm (7.9 x 2 in)
<b>Adze height</b>	960-1220 mm (37.8 - 48 in)
<b>Noise level</b>	68,5 dB
<b>To use from</b>	-10° / 40° C (14° / 104° F)
<b>Lifting capacity</b>	1250 kg (2755.8 lbs)

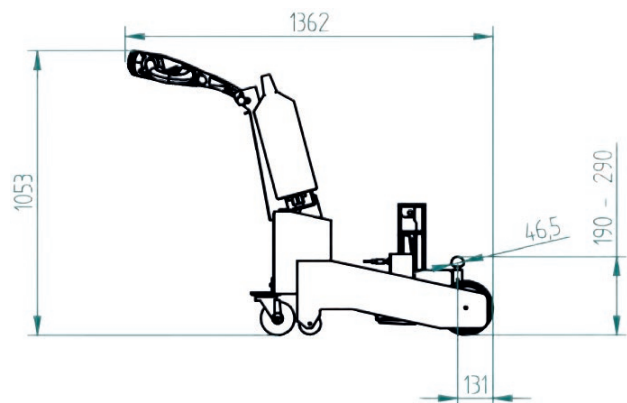
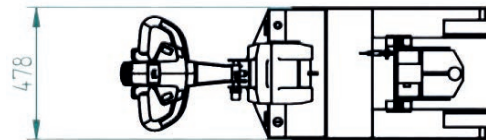
© 2020 Movexx International B.V. The images shown are used for illustration purposes only and may differ from the products indicated. No rights can therefore be derived from it. Printing errors are subjected to change. The datasheet is the confidential product of Movexx International B.V. and no portion of this datasheet may be copied, performed, or redistributed without the express written authority of Movexx International B.V.

## Pulling power (in kg)



Measured with a trolley with 2 swivel wheels and 2 fixed castors. Wheel Ø 160 mm.

## Dimensions



## Standard parts



Motor 600W / 100rpm  
(6911413X) with brake  
**Item number M2098**



LED battery indicator  
**Item number M0123**



Charger (external)  
Lithium battery 25,6V / 10A  
**Item number OPT0013**



Lithium battery green  
(LiFePO4) 25,5V / 36Ah  
**Item number OPT0106**



Drive wheel  
Ø 200 x 50 mm  
**Item number M0340**



Caster wheel  
Black Ø 125 mm  
**Item number M0110**

## Standard parts



Adjustable tiller head  
**Item no M1002-0100**



Belly button RED  
**Item number M0121-BBUT**



2 programmable speeds

## Options



Horn 90dB for  
steel tiller head supp.  
M1002-0100  
**Item number OPT0057**



Horn 103dB  
**Item number OPT0059**

## Options



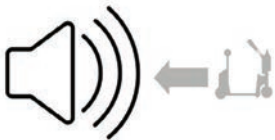
Emergency stop  
**Item number OPT0063**



Strobe light for  
steel tiller head supp.  
M1002-0100  
**Item number OPT0065**



Audio signal  
(while driving)  
**Item number OPT0253**



Audio signal  
(driving backward)  
**Item number OPT0254**



Hour tracker  
**Item number OPT0056**

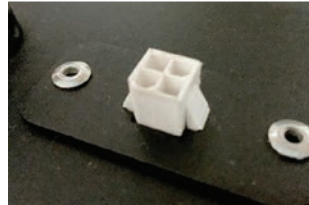


Antistatic strip  
**Item number OPT0058**

## Options



Code lock  
**Item number OPT0068**



Diagnostic connector  
**Item number OPT0270**



Ignition key (unequal)  
**Item number OPT0145**



Ignition key (equal)  
**Item number OPT0146**



On/off rotary switch  
**Item number OPT0016**



Parking floorlabel Ø 60 cm  
**Item number OPT0245**

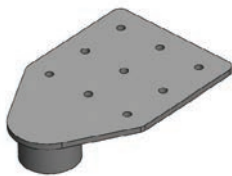
## Options



Customized programming  
*Please indicate  
specific settings*  
**Item number OPT0170**



Programmer for Italsea  
**Item number D0003**



Screw tube  
**Item number OPT0301**



Urgent order purchase  
**Item number SPOED**

## Batteries and Chargers



Charger (external)  
Lithium battery 25,6V / 10A  
**Item number OPT0013**



Lithium battery green  
(LiFePO4) 25,6V / 36Ah  
**Item number OPT0106**



Wall mounted Lithium  
charger  
**Item number OPT0023**



Charging station Lithium  
(5x), incl. Lithium  
charger 25,6V / 10A  
**Item number OPT0029**



UPGRADE:  
(only with new machines)  
Wall mounting for charger  
(for AGM or Lithium)  
**Item number OPT0261**

## Most common spareparts



Charger (external)  
Lithium battery 25,6V / 10A  
**Item number OPT0013**



Lithium battery green  
(LiFePO4) 25,6V / 36Ah  
**Item number OPT0106**



Battery guide  
(stainless steel)  
**Item number M0482**



Belly button RED  
**Item number M0121-BBUT**



Switch buttons (2x) green  
**Item number M0121-KNOP-GROEN**



Switch tiller head  
excl. buttons  
**Item number M0121-FLIPPER**

## Most common spareparts



Feather/shaft Throttle  
**Item number M0121-4**



Switch FAST/SLOW  
tiller head green  
**Item number M0121-SPEED-GROEN**



Switch UP/DOWN  
tiller head green  
**Item number M0121-UPDOWN-GROEN**



Plain sleeve bearing  
Ø8 / 12 x 6, 16 x 2 mm  
**Item number M4038**



Locking pin  
M16 x 1,5 mm  
**Item number M0001**



Coverplate tiller head  
**Item number M0898**



## Most common spareparts



Italsea drive controller  
in 24V / 36 bat,  
in 30A / I<sub>max</sub> 120A  
**Item number M2128-SP**



Carbon brushes (set of 4)  
for Motor 600W  
**Item number M1037**



LED battery indicator  
**Item number M0123**



Cable harness complete  
**Item number M1127-M050**



Fuse 5A  
**Item number M0506**



Fuse Maxi 40A  
**Item number M0254**

## Most common spareparts



Drive wheel  
Ø 200 x 50 mm  
**Item number M0340**



Castor wheel  
Black Ø 80 mm  
**Item number M0319**



Caster wheel  
Black Ø 125 mm  
**Item number M0110**

# applications



**moveXX**  
driven by brain power

Generatorstraat 17-19  
3903 LH Veenendaal  
The Netherlands

**T** +31 (0)318 519900  
**E** info@movexx.com  
**W** www.movexx.com

