



Movexx **T2500-Clean Room**  
PARTS & OPTIONS  
**2020** v2

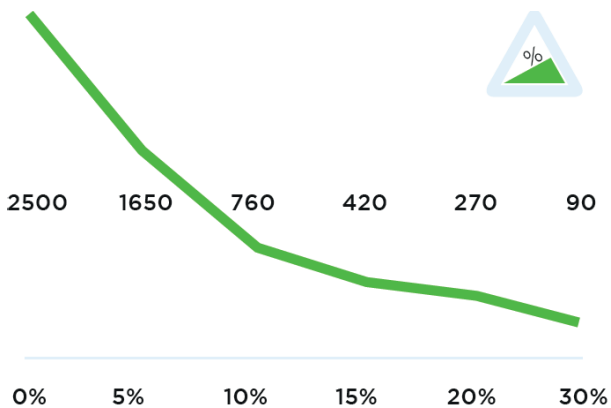
## Specifications

### Technical details

<b>Frame</b>	Stainless steel, glass pearl blasted
<b>Drive</b>	24V DC, 600W, 100 rpm
<b>Weight</b>	250 kg (551.2 lbs)
<b>Max. pulling force</b>	3200 N
<b>Weight trailer</b>	2500 kg (5511.5 lbs)
<b>Battery</b>	Built in
<b>Speed Max.</b>	4,7 km/h (2.9 mph)
<b>Drive wheels</b>	Nonmarking full rubber Cleanroom Ø 250 x 80 mm (9.8 x 3.1 in)
<b>Adze height</b>	1066 mm (42 in)
<b>Noise level</b>	68,5 dB
<b>To use from</b>	-10° / 40° C (14° / 104° F)

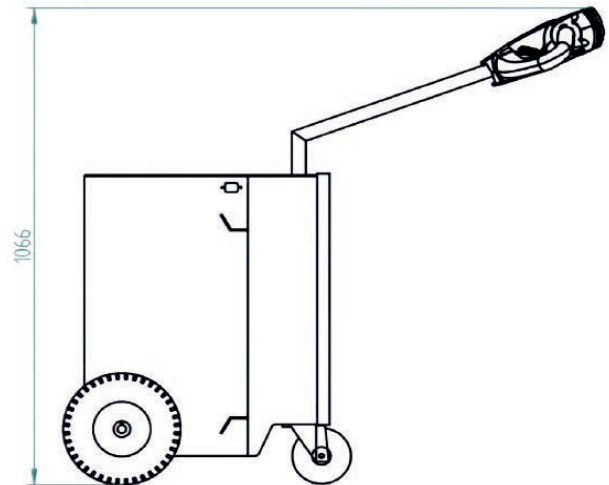
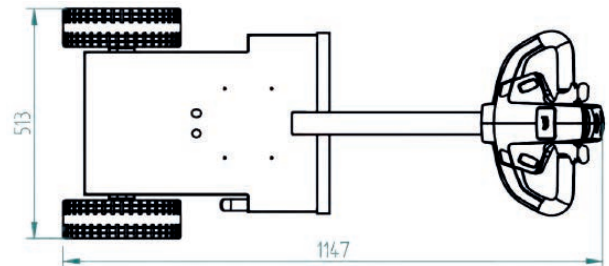
© 2020 Movexx International B.V. The images shown are used for illustration purposes only and may differ from the products indicated. No rights can therefore be derived from it. Printing errors are subjected to change. The datasheet is the confidential product of Movexx International B.V. and no portion of this datasheet may be copied, performed, or redistributed without the express written authority of Movexx International B.V.

## Pulling power (in kg)



Measured with a trolley with 2 swivel wheels and 2 fixed castors. Wheel Ø 160 mm.

## Dimensions



## Standard parts



Motor 600W / 100rpm  
(6911413X) with brake  
**Item number M2098**



LED battery indicator  
(build-in)  
**Item number M0318**



Battery AGM-VRLA  
24V / 80Ah  
**Item number M2102-SP**



Charger (internal)  
AGM battery 24V / 10A  
+ external indicator  
**Item number M2134**



Drive wheel Cleanroom  
full rubber, non-marking  
Gray Ø 250 x 80 mm  
**Item number M0249**



Caster wheel  
Gray Ø 125 mm  
**Item number M0120**

## Standard parts



Belly button RED  
**Item number M0121-BBUT**



2 programmable speeds

## Options



Horn 90dB for  
stainless steel  
tiller head supp.  
**Item number OPT0414**



Horn 103dB  
**Item number OPT0059**



Emergency stop complete  
**Item number OPT0063**

## Options



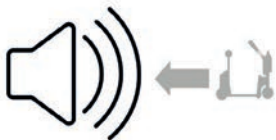
Strobe light for stainless steel tiller head supp.

**Item number OPT0415**



Audio signal (while driving)

**Item number OPT0253**



Audio signal (driving backward)

**Item number OPT0254**



Hour tracker

**Item number OPT0056**



Antistatic strip

**Item number OPT0058**



Code lock

**Item number OPT0068**

## Options



Preparation electric hook

**Item number OPT0143**



Ignition key (unequal)

**Item number OPT0145**



Ignition key 701 (equal)

**Item number OPT0146**



On/off rotary switch

**Item number OPT0016**



Parking floorlabel Ø 60 cm

**Item number OPT0245**



Customized programming  
*Please indicate specific settings*

**Item number OPT0170**

## Options



Programmer for Italsea  
**Item number D0003**



Urgent order purchase  
**Item number SPOED**

## Batteries & Chargers



Battery AGM-VRLA  
24V / 80Ah  
**Item number M2102-SP**

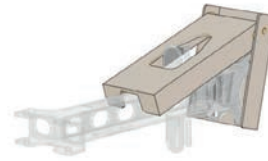


Charger (internal)  
AGM battery 24V / 10A  
+ external indicator  
**Item number M2134**

## Adapters



Angle limitation hook 90°  
**Item number OPT0244**



Hook locking system  
Stainless steel  
**Item number OPT0012**



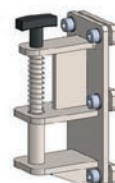
Electric lifting module  
for hook, stainless steel  
**Item no OPT0050-RVS**



Electric locking module  
for hook  
**Item number OPT0129**



HA245.55.45.0.0  
(stainless steel)  
**Item nr H0004 CR + OPT0203**



Spring hitch, pen Ø16  
**Item number H0120**

## Adapters



Vacuum hook  
for stainless steel trolley  
**Item number H0093**

## Most common spareparts



Switch tiller head  
excl. buttons  
**Item number M0121-FLIPPER**



Feather/shaft Throttle  
**Item number M0121-4**

## Most common spareparts



Battery AGM-VRLA  
24V / 80Ah  
**Item number M2102-SP**



Switch FAST/SLOW  
tiller head green  
**Item number M0121-SPEED-GROEN**



Charger (internal)  
AGM battery 24V / 10A  
+ external indicator  
**Item number M2134**



Switch ON/OFF  
tiller head green  
**Item number M0121-AANUIT-GROEN**



Belly button RED  
**Item number M0121-BBUT**



Torsion spring for hook  
(stainless steel)  
**Item number M0117-SP**



Switch buttons (2x) green  
**Item number M0121-KNOP-GROEN**



Italsea drive controller  
in 24V / 36 bat,  
in 30A / Imax 120A  
**Item number M2128-SP**



## Most common spareparts



Carbon brushes (set of 4)  
for Motor 600W  
**Item number M1037**



LED battery indicator  
(build-in)  
**Item number M0318**



Cable harness 2  
**Item number M1132**



Fuse 5A  
**Item number M0506**

## Most common spareparts



Fuse Maxi 80A  
**Item number M0191**



Chassis cable charger  
**Item no M0158-Stekker**



Drive wheel Cleanroom  
full rubber, non-marking  
Gray Ø 250 x 80mm  
**Item number M0249**



Caster wheel  
Gray Ø 125 mm  
**Item number M0120**

# applications



Generatorstraat 17-19  
3903 LH Veenendaal  
The Netherlands

**T** +31 (0)318 519900  
**E** info@movexx.com  
**W** www.movexx.com

