



Movexx **T1500-RVS**
PARTS & OPTIONS
2020 v2

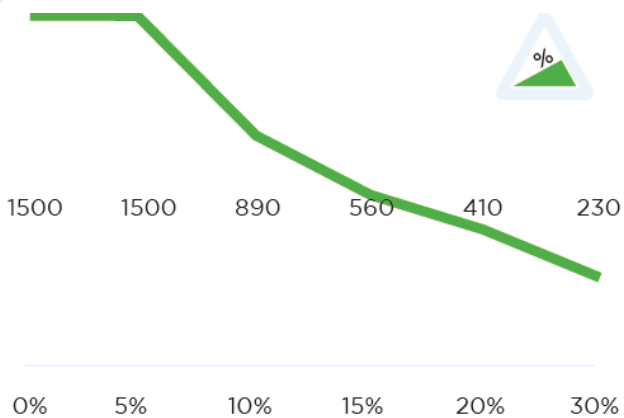
Specifications

Technical details

Frame	Stainless steel, glass pearl blasted
Drive	24V DC, 600W, 100 rpm
Weight	105 kg (231.5 lbs)
Max. pulling force	1800 N
Weight trailer	Max. 1500 kg (3306.9 lbs)
Battery	Exchangeable battery pack
Speed Max.	4,7 km/h (2.9 mph)
Drive wheels	Non-marking full rubber Clean Room, Ø 250 x 80 mm (9.8 x 3.1 in)
Adze height	770-1177 mm (30.3 - 46.3 in)
Noise level	63,8 dB
To use from	-10° / 40° C (14° / 104° F)

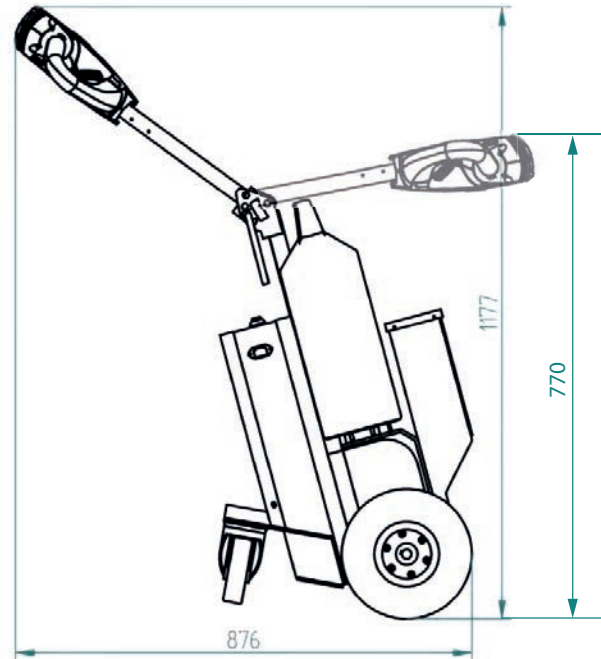
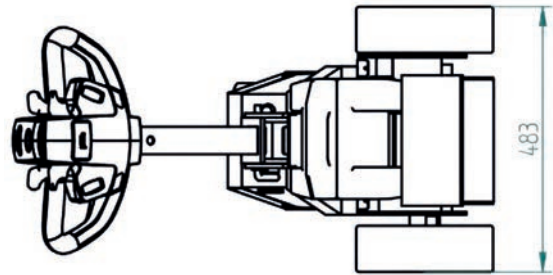
© 2020 Movexx International B.V. The images shown are used for illustration purposes only and may differ from the products indicated. No rights can therefore be derived from it. Printing errors are subjected to change. The datasheet is the confidential product of Movexx International B.V. and no portion of this datasheet may be copied, performed, or redistributed without the express written authority of Movexx International B.V.

Pulling power (in kg)



Measured with a trolley with 2 swivel wheels and 2 fixed castors. Wheel Ø 160 mm.

Dimensions



Standard parts



Motor 600W / 100rpm
(6911413X) with brake
Item number M2098



LED battery indicator
Item number M0123



Charger (external)
AGM battery 24V / 5A
Item number OPT0009



Battery AGM-VRLA green
24V / 22Ah
Item number OPT0110



Drive wheel, Cleanroom
full rubber non-marking
Gray Ø 250 x 80 mm
Item number M0249



Adjustable tiller head
Item no M1730-0100

Standard parts



Belly button RED
Item number M0121-BBUT



2 programmable speeds

Options



Extra plug to recharge
the battery
*for on-machine battery
charging*
Item number OPT0001



UPGRADE:
(only with new machines)
Drive wheel
full rubber, non-marking
Gray 2x Ø 250 x 80 mm
Item number OPT0359



UPGRADE:
(only with new machines)
Drive wheel foam filled,
non-marking
Gray 2x Ø 250 x 80 mm
Item number OPT0361

Options



Horn 90dB for stainless steel tiller head supp.
Item number OPT0414



Horn 103dB
Item number OPT0059



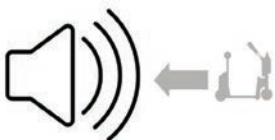
Emergency stop complete
Item number OPT0063



Strobe light for stainless steel tiller head supp.
Item number OPT0415



Audio signal (while driving)
Item number OPT0253



Audio signal (driving backward)
Item number OPT0254

Options



Hour tracker
Item number OPT0056



Antistatic strip
Item number OPT0058



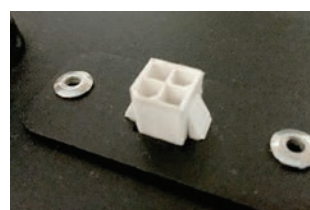
Code lock
Item number OPT0068



Document holder for stainless steel tillerhead supp.
Item number OPT0053



Preparation electric hook
Item number OPT0143



Diagnostic connector
Item number OPT0270

Options



Ignition key (unequal)
Item number OPT0145



Ignition key 701 (equal)
Item number OPT0146



On/off rotary switch
Item number OPT0016



Parking floorlabel Ø 60 cm
Item number OPT0245



Customized programming
Please indicate specific settings
Item number OPT0170



Programmer for Italsea
Item number D0003

Options



Urgent order purchase
Item number SPOED

Batteries and Chargers



Battery AGM-VRLA green
24V / 22Ah
Item number OPT0110



Charger (external)
AGM battery 24V / 5A
Item number OPT0009



Battery Lithium green
(LiFePO4) 25,6V / 36Ah
Item number OPT0106



Charger (external)
Lithium battery 25,6V / 10A
Item number OPT0013

Batteries and Chargers



UPGRADE:
(only with new machines)
Battery Lithium (LiFePO4)
+ charger
Item number OPT0107



Wall mounted AGM
charger, incl. AGM
charger 24V / 5A
Item number OPT0015



Wall mounted AGM
charger, incl. AGM
charger 24V / 5A
stainless steel
Item no OPT0015-RVS



Wall mounted Lithium
charger, incl. Lithium
charger 25,6V / 10A
Item number OPT0023



Wall mounted Lithium
charger, incl. Lithium
charger 25,6V / 10A
stainless steel
Item no OPT0023-RVS



Charging station AGM
(5x), incl. AGM
charger 24V / 5A
Item number OPT0039

Batteries and Chargers



Charging station AGM
(5x), incl. AGM
charger 24V / 5A
stainless steel
Item no OPT0039-RVS



Charging station Lithium
(5x), incl. Lithium
charger 25,6V / 10A
Item number OPT0029



UPGRADE:
(only with new machines)
Wall mounting for charger
(for AGM or Lithium)
Item number OPT0261

Adapters

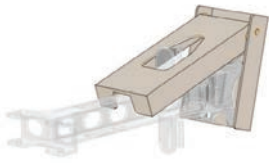


Base part hook 15°
Stainless steel
Item number H7011



Angle limitation hook 15°
Item number OPT0218

Adapters



Hook locking system
stainless steel
Item number OPT0012



Electric lifting module
for hook, stainless steel
Item nr OPT0050-RVS



Electric locking module
for hook
Item number OPT0129



Clamping hook
(stainless steel)
Item number H0096



Clamping hook (HD)
(range: 0 - 100mm)
Item number H0152



Clamping hook (HD), Inox
(range: 0-100 mm)
Item number H0152-INOX

Adapters



HA245.55.45.0.0
(stainless steel)
Item number H0004 CR + OPT0202

Most common spareparts



Battery AGM-VRLA green
24V / 22Ah
Item number OPT0110



Charger (external)
AGM battery 24V / 5A
Item number OPT0009



Battery Lithium green
(LiFePO4) 25,6V / 36Ah
Item number OPT0106



Charger (external)
Lithium battery 25,6V / 10A
Item number OPT0013

Most common spareparts



Battery guide
(stainless steel)
Item number M0482



Battery connector SB50
Item number M0105



Belly button RED
Item number M0121-BBUT



Switch buttons (2x) green
Item number M0121-KNOP-GROEN



Switch tiller head
excl. buttons
Item number M0121-FLIPPER



Feather/shaft Throttle
Item number M0121-4

Most common spareparts



Switch FAST/SLOW
tiller head green
Item number M0121-SPEED-GROEN



Switch ON/OFF
tiller head green
Item number M0121-AANUIT-GROEN



Locking pin
M16 x 1,5 mm
Item number M0001



Torsion spring for hook
(stainless steel)
Item number M0117-SP



Clamping hook (HD)
(range: 0 - 100mm)
Item number H0152-SP



Italsea drive controller
in 24V / 36 bat,
in 35A / Imax 90A
Item number M1124-SP

Most common spareparts



Carbon brushes (set of 4)
for Motor 600W
Item number M1037



LED battery indicator
Item number M0123



Cable harness complete
Item number M1127-M050



Fuse 5A
Item number M0506



Fuse Maxi 80A
Item number M0191



Drive wheel, Cleanroom
full rubber, non-marking
Gray Ø 250 x 80 mm
Item number M0249

Most common spareparts



Drive wheel
full rubber, non-marking
Gray Ø 250 x 80 mm
Item number M0115



Drive wheel, foamed at 2b
Gray Ø 250 x 80 mm
Item number M0092



Castor wheel
Gray Ø 125 mm
Item number M0120

applications



movexx
driven by brain power

Generatorstraat 17-19
3903 LH Veenendaal
The Netherlands

T +31 (0)318 519900
E info@movexx.com
W www.movexx.com

