



Movexx **T1500-Clean Room**  
PARTS & OPTIONS  
**2020** v2

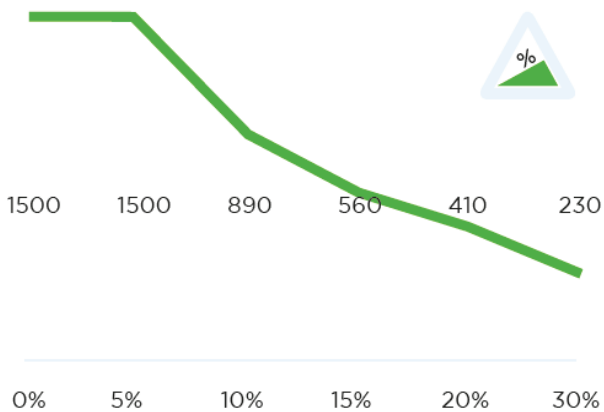
## Specifications

### Technical details

<b>Frame</b>	Stainless steel, glass pearl blasted
<b>Drive</b>	24V DC, 600W, 100 rpm
<b>Weight</b>	105 kg (231.5 lbs)
<b>Max. pulling force</b>	1800 N
<b>Weight trailer</b>	Max. 1500 kg (3306.9 lbs)
<b>Battery</b>	Built in
<b>Speed Max.</b>	4,7 km/h (2.9 mph)
<b>Drive wheels</b>	Non marking, full rubber Cleanroom, Ø 250 x 80 mm (9.8 x 3.1 in)
<b>Adze height</b>	1061 mm (41.8 in)
<b>Noise level</b>	63,8 dB
<b>To use from</b>	-10° / 40° C (14° / 104° F)

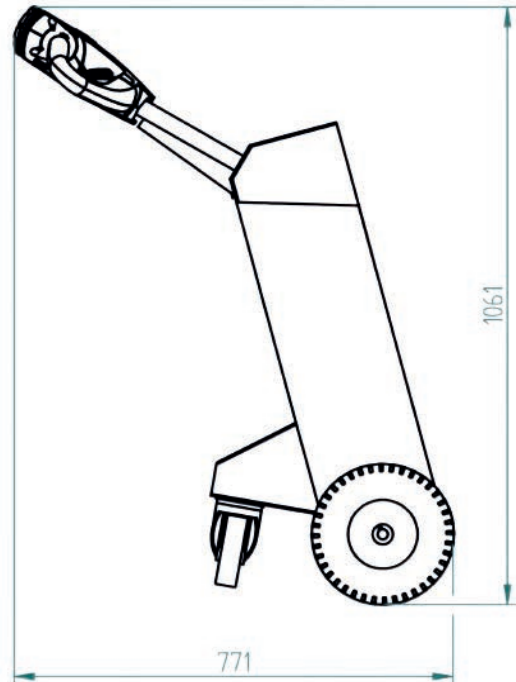
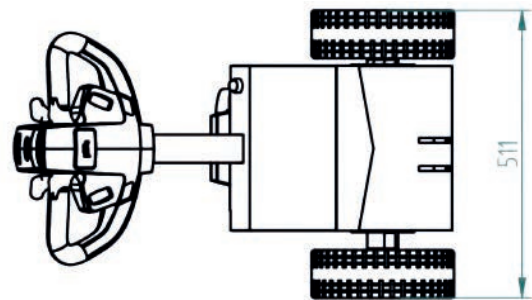
© 2020 Movexx International B.V. The images shown are used for illustration purposes only and may differ from the products indicated. No rights can therefore be derived from it. Printing errors are subjected to change. The datasheet is the confidential product of Movexx International B.V. and no portion of this datasheet may be copied, performed, or redistributed without the express written authority of Movexx International B.V.

## Pulling power (in kg)



Measured with a trolley with 2 swivel wheels and 2 fixed castors. Wheel Ø 160 mm.

## Dimensions



## Standard parts



Motor 600W / 100rpm  
(6911413X) with brake  
**Item number M2098**



Battery AGM-VRLA block  
24V / 22Ah  
**Item number M0076-SP**



LED battery indicator  
(build-in)  
**Item number M0318**



Charger (internal)  
AGM battery 24V / 5A  
+ external indicator  
**Item number M0246**



Drive wheel, Cleanroom  
full rubber, non-marking  
Gray Ø 250 x 80 mm  
**Item number M0249**



Belly button RED  
**Item number M0121-BBUT**

## Standard parts



2 programmable speeds

## Options



Horn 90dB for  
stainless steel  
tiller head supp.  
**Item number OPT0414**



Horn 103dB  
**Item number OPT0059**

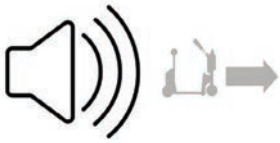


Emergency stop complete  
**Item number OPT0063**

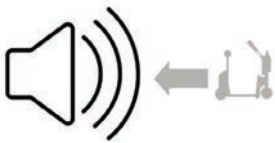


Strobe light for  
stainless steel  
tiller head supp.  
**Item number OPT0415**

## Options



Audio signal  
(while driving)  
**Item number OPT0253**



Audio signal  
(driving backward)  
**Item number OPT0254**



Hour tracker  
**Item number OPT0056**



Antistatic strip  
**Item number OPT0058**



Code lock  
**Item number OPT0068**



Document holder for  
stainless steel  
tiller head supp.  
**Item number OPT0053**

## Options



Preparation electric hook  
**Item number OPT0143**



On/off rotary switch  
**Item number OPT0016**



Parking floorlabel Ø 60 cm  
**Item number OPT0245**



Customized programming  
*Please indicate  
specific settings*  
**Item number OPT0170**



Programmer for Italsea  
**Item number D0003**



Urgent order purchase  
**Item number SPOED**

## Batteries & Chargers



Battery AGM-VRLA block  
24V / 22Ah  
**Item number M0076-SP**



Charger (internal)  
AGM battery 24V / 5A  
+ external indicator  
**Item number M0246**

## Adapters



Electric lifting module  
for hook, stainless steel  
**Item nr OPT0050-RVS**



Electric locking module  
for hook  
**Item number OPT0129**

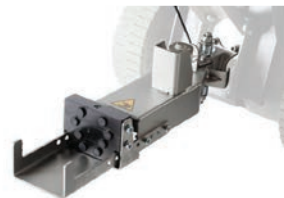


Clamping hook (HD), Inox  
(range: 0-100 mm)  
**Item number H0152-INOX**

## Adapters



Base part hook 15°  
Stainless steel  
**Item number H7011**



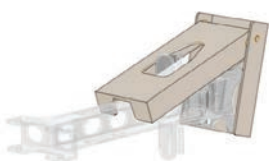
Clamping hook  
(stainless steel)  
**Item number H0096**



Angle limitation hook 15°  
**Item number OPT0218**



HA245.55.45.0.0  
(stainless steel)  
**Item number H0004 CR  
+ OPT0202**



Hook locking system  
Stainless steel  
**Item number OPT0012**



Vacuum hook  
for stainless steel trolley  
**Item number H0093**

## Most common spareparts



Battery AGM-VRLA block  
24V / 22Ah  
**Item number M0076-SP**



Charger (internal)  
AGM battery 24V / 5A  
+ external indicator  
**Item number M0246**



Belly button RED  
**Item number M0121-BBUT**



Switch buttons (2x) green  
**Item number M0121-KNOP-GROEN**



Switch tiller head  
excl. buttons  
**Item number M0121-FLIPPER**



Feather/shaft Throttle  
**Item number M0121-4**

## Most common spareparts



Switch FAST/SLOW  
tiller head green  
**Item number M0121-SPEED-GROEN**



Switch ON/OFF  
tiller head green  
**Item number M0121-AANUIT-GROEN**



Torsion spring for hook  
(stainless steel)  
**Item number M0117-SP**



Italsea drive controller  
in 24V / 36 bat,  
in 35A / I<sub>max</sub> 90A  
**Item number M1124-SP**



Carbon brushes (set of 4)  
for Motor 600W  
**Item number M1037**



LED battery indicator  
(build-in)  
**Item number M0318**

## Most common spareparts



Cable harness 3  
**Item number M1133**



Chassis cable charger  
**Item no M0158-Stekker**



Fuse 5A  
**Item number M0506**

## Most common spareparts



Fuse Maxi 80A  
**Item number M0191**



Drive wheel, Cleanroom  
full rubber, non-marking  
Gray Ø 250 x 80 mm  
**Item number M0249**



Castor wheel  
Gray Ø 125 mm  
**Item number M0120**

# applications

