



Movexx **T1000-Clean Room**
PARTS & OPTIONS
2020

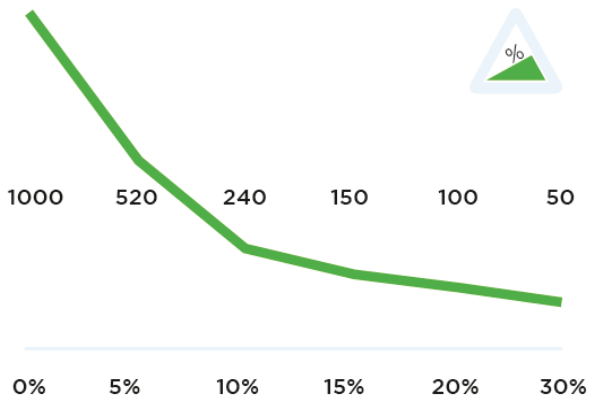
Specifications

Technical details

Frame	Stainless steel, glass pearl blasted
Drive	24V DC, 300W, 100 rpm
Weight	43 kg (94.8 lbs)
Max. pulling force	800 N
Weight trailer	Max. 1000 kg (2204.5 lbs)
Battery	Built in
Speed Max.	5 km/h (3.1 mph)
Drive wheels	Non marking full rubber Cleanroom, Ø 250x80mm (9.8 x 3.1 in)
Adze height	1056mm (41.6 in)
Noise level	63,8 dB
To use from	-10° / 40° C (14° / 104° F)

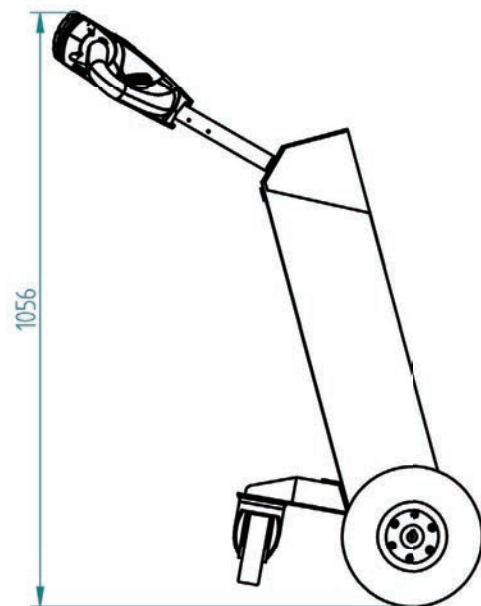
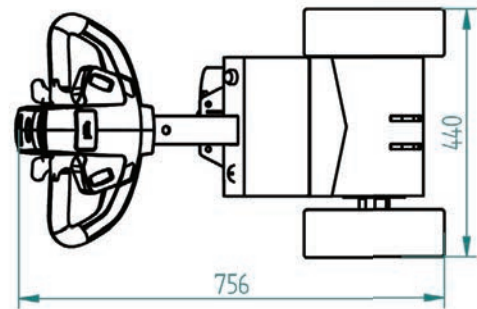
© 2020 Movexx International B.V. The images shown are used for illustration purposes only and may differ from the products indicated. No rights can therefore be derived from it. Printing errors are subjected to change. The datasheet is the confidential product of Movexx International B.V. and no portion of this datasheet may be copied, performed, or redistributed without the express written authority of Movexx International B.V.

Pulling power (in kg)

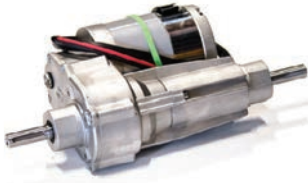


Measured with a trolley with 2 swivel wheels and 2 fixed castors. Wheel Ø 160 mm.

Dimensions



Standard parts



Motor 300W / 100rpm
(6911345X) without brake
Item number M1032



Battery AGM-VRLA block
24V / 22Ah
Item number M0076-SP



LED battery indicator
(build-in)
Item number M0318



Charger (internal)
AGM battery 24V / 5A
+ external indicator
Item number M0246



Drive wheel, Cleanroom
full rubber, non-marking
Gray Ø 250 x 80mm
Item number M0249



Belly button RED
Item number M0121-BBUT

Standard parts



2 programmable speeds

Options



Horn 90dB for
stainless steel
tiller head supp.
Item number OPT0414



Horn 103dB
Item number OPT0059

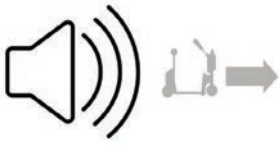


Emergency stop complete
Item number OPT0063

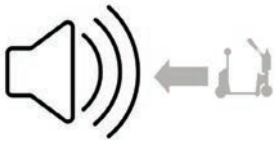


Strobe light for
stainless steel
tiller head supp.
Item number OPT0415

Options



Audio signal
(while driving)
Item number OPT0253



Audio signal
(driving backward)
Item number OPT0254



Electromagnetic
parking brake
Item number OPT0004



Counterweight (front)
30kg stainless steel
Item number OPT0035



Hour tracker
Item number OPT0056



Antistatic strip
Item number OPT0058

Options



Code lock
Item number OPT0068



Document holder for
stainless steel
tiller head supp.
Item number OPT0053



Preparation electric hook
Item number OPT0143



On/off rotary switch
Item number OPT0016



Parking floorlabel Ø 60 cm
Item number OPT0245



Customized programming
*Please indicate
specific settings*
Item number OPT0170

Options



Programmer for Italsea
Item number D0003



Urgent order purchase
Item number SPOED

Batteries & Chargers



Battery AGM-VRLA block
24V / 22Ah
Item number M0076-SP



Charger (internal)
AGM battery 24V / 5A
+ external indicator
Item number M0246

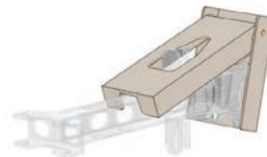
Adapters



Base part hook 15°
Stainless steel
Item number H7011



Angle limitation hook 15°
Item number OPT0218



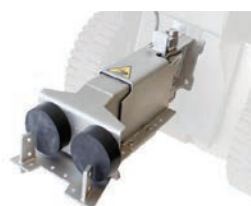
Hook locking system
stainless steel
Item number OPT0012



Electric lifting module
for hook, stainless steel
Item nr OPT0050-RVS



Electric locking module
for hook
Item number OPT0129



Clamping hook (HD), Inox
(range: 0-100 mm)
Item number H0152-INOX

Adapters



Clamping hook
(stainless steel)
Item number H0096



HA245.55.45.0.0
(stainless steel)
**Item number H0004 CR
+ OPT0202**



Vacuum hook
for stainless steel trolley
Item number H0093

Most common spareparts



Belly button RED
Item number M0121-BBUT



Switch buttons (2x) green
Item number M0121-KNOP-GROEN



Switch tiller head
excl. buttons
Item number M0121-FLIPPER



Feather/shaft Throttle
Item number M0121-4

Most common spareparts



Battery AGM-VRLA block
24V / 22Ah
Item number M0076-SP



Switch FAST/SLOW
tiller head green
Item number M0121-SPEED-GROEN



Charger (internal)
AGM battery 24V / 5A
+ external indicator
Item number M0246



Switch ON/OFF
tiller head green
Item number M0121-AANUIT-GROEN

Most common spareparts



Torsion spring for hook
(stainless steel)
Item number M0117-SP



Italsea drive controller
in 24V / 36 bat,
in 10A / I_{max} 45A
Item number M1122-SP



Carbon brushes (set of 4)
for Motor 300W
Item number M0186



LED battery indicator
(build-in)
Item number M0318



Cable harness 3
Item number M1133



Chassis cable charger
Item no M0158-Stecker

Most common spareparts



Fuse 5A
Item number M0506



Fuse Maxi 40A
Item number M0254



Drive wheel, Cleanroom
full rubber, non marking
Gray Ø 250 x 80 mm
Item number M0249



Castor wheel
Gray Ø 80 mm
Item number M0119

applications



movexx
driven by brain power

Generatorstraat 17-19
3903 LH Veenendaal
The Netherlands

T +31 (0)318 519900
E info@movexx.com
W www.movexx.com

