



Movexx **MD1000**  
PARTS & OPTIONS  
**2020** v2

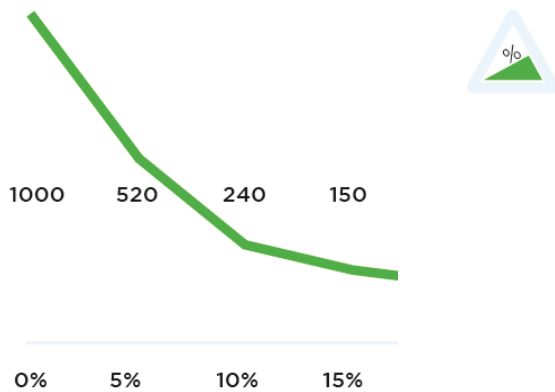
## Specifications

### Technical details

<b>Frame</b>	Steel, powder coated
<b>Drive</b>	24V DC, 300W, 120 rpm
<b>Weight</b>	80 kg (176.4 lbs)
<b>Max. pulling force</b>	800 N
<b>Weight trailer</b>	Max. 1000 kg (2204.5 lbs)
<b>Battery</b>	Exchangeable battery pack
<b>Speed Max.</b>	4,5 km/h (2.8 mph)
<b>Drive wheels</b>	Blue polyurethane drive wheel Ø 200 x 60 mm (7,9 x 2.4 in)
<b>Adze height</b>	775-1138 mm (30.5 - 44.8 in)
<b>Noise level</b>	63,8 dB
<b>To use from</b>	-10° / 40° C (14° / 104° F)

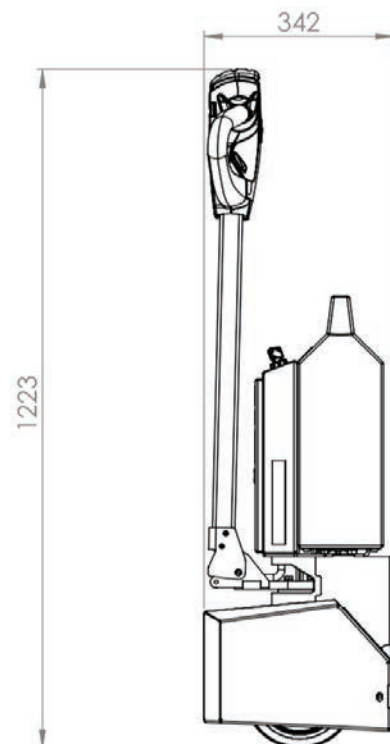
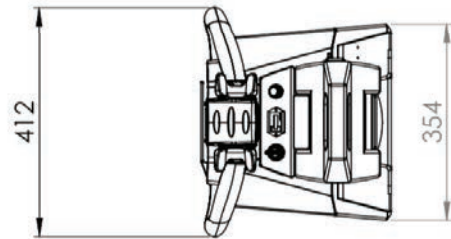
© 2020 Movexx International B.V. The images shown are used for illustration purposes only and may differ from the products indicated. No rights can therefore be derived from it. Printing errors are subjected to change. The datasheet is the confidential product of Movexx International B.V. and no portion of this datasheet may be copied, performed, or redistributed without the express written authority of Movexx International B.V.

## Pulling power (in kg)



Measured with a trolley with 4 swivel wheels.  
Wheel Ø 160 mm

## Dimensions

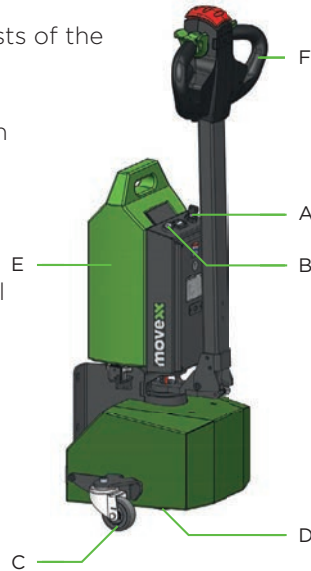


## Drive unit (A)

The steering wheel is operated by a motor which has an electromagnetic brake. Both the motor and the other electrical systems are powered by the battery. This battery is removable and must be placed in the battery holder.

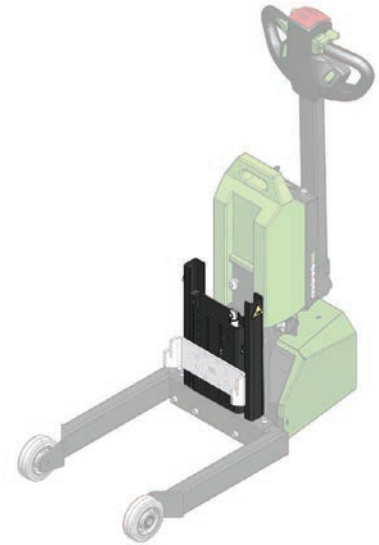
The drive module consists of the following components:

- A. Ignition/power switch
- B. Battery status LED
- C. Stabilization wheel  
(when positioned accordingly)
- D. Driven steering wheel
- E. (Removable) Battery
- F. Tiller head



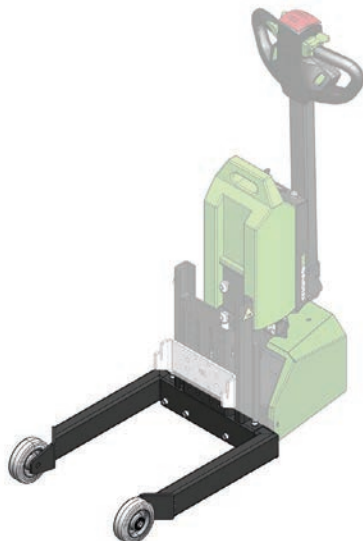
## Liftmodule (B)

The lift module is fitted with an electric actuator that can vertically move and/or adjust a trolley for specific equipment. By "lifting" the trolley, the pressure placed on the wheels increases and generates the required traction.



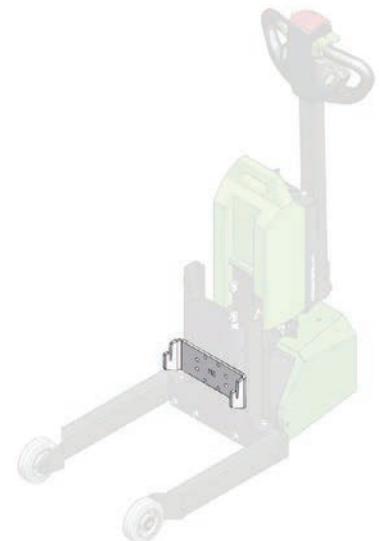
## Support structure (C)

The support structure is specific to both the machine and the load which will be transported. The width of the load is adjusted to the available space and the length determines the pivot point of the load.



## Hook (D)

The hook is attached to the lift module and it also connects to the load that is to be transported. This hook has been specifically developed for the machine yet tailored to the load you need to transport.



## Standard parts



Motor 300W / 120rpm  
(6962234) with brake  
Blue polyurethane wheel  
Ø 200 x 60 mm  
**Item number M0940**



LED battery indicator  
**Item number M0123**



Charger (external)  
Lithium battery 25,6V / 10A  
**Item number OPT0013**



Battery Lithium green  
(LiFePO4) 25,6V / 36Ah  
**Item number OPT0106**



Belly button RED  
**Item number M0121-BBUT**



2 programmable speeds

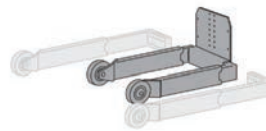
## Required Options



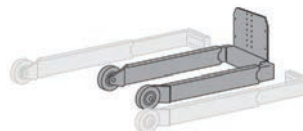
Electric height adjustment,  
Sprung, Stroke 50 mm,  
Actuator 900 N  
(gas spring 800 N)  
**Item number 334731**



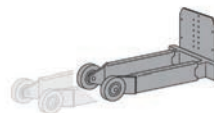
Electric height adjustment,  
Sprung, Stroke 100 mm,  
Actuator 900 N  
(gas spring 800 N)  
**Item number OPT0507**



MD Adjustable support  
structure - **Model A**  
Width 492 - 597 mm  
Lenght 533 - 733 mm  
**Item number OPT0483**



MD Adjustable support  
structure - **Model B**  
Width 492 - 597 mm  
Lenght 783 - 1233 mm  
**Item number OPT0487**

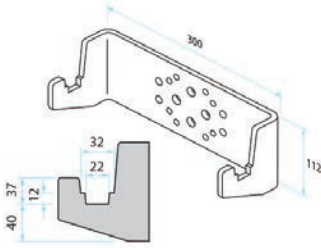


MD Adjustable support  
structure - **Model C**  
Width fix 267 mm  
Lenght 496 - 696 mm  
(required with MD-EAA)  
**Item number OPT0498**

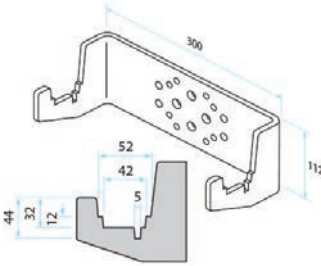


Suspended support  
wheels (2x),  
Gray Ø 80 mm  
**Item number MD-EAA**

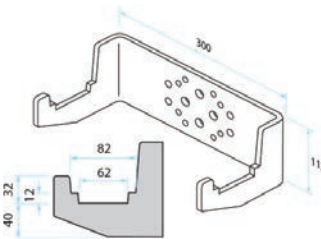
## Required Options



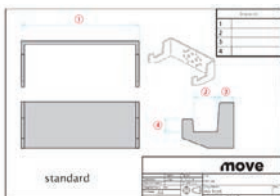
Standard Hook  
20 - 30 mm  
**Item number H0171**



Standard Hook  
5 - 40 - 50 mm  
**Item number H0172**



Standard Hook  
60 - 80 mm  
**Item number H0173**



Customized hook  
*Please complete  
corresponding sheet*  
**Item number H5000**

## General Options



Extra plug to recharge  
the battery  
*for on-machine battery  
charging*  
**Item number OPT0001**

## General Options



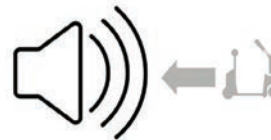
Horn 103dB  
**Item number OPT0059**



Emergency stop complete  
**Item number OPT0063**



Audio signal  
(while driving)  
**Item number OPT0253**



Audio signal  
(driving backward)  
**Item number OPT0254**



Hour tracker  
**Item number OPT0056**

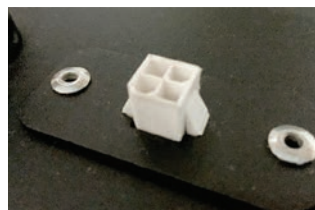


Antistatic strip  
**Item number OPT0058**

## General Options



Code lock  
**Item number OPT0068**



Diagnostic connector  
**Item number OPT0270**



Ignition key (unequal)  
**Item number OPT0145**



Ignition key 701 (equal)  
**Item number OPT0146**



On/off rotary switch  
**Item number OPT0016**



Parking floorlabel Ø 60 cm  
**Item number OPT0245**

## General Options



Customized programming  
*Please indicate specific settings*  
**Item number OPT0170**



Programmer for Italsea  
**Item number D0003**



Urgent order purchase  
**Item number SPOED**

## Batteries and Chargers



Battery Lithium green  
(LiFePO4) 25,6V / 36Ah  
**Item number OPT0106**



Charger (external)  
Lithium battery 25,6V / 10A  
**Item number OPT0013**

## Batteries and Chargers



Wall mounted Lithium charger, incl. Lithium charger 25,6V / 10A  
**Item number OPT0023**



Wall mounted Lithium charger (5x), incl. Lithium charger 25,6V / 10A  
**Item number OPT0029**



UPGRADE:  
Wall mounted charger (for AGM or Lithium)  
**Item number OPT0261**

## Most common spareparts



Battery Lithium green (LiFePO4) 25,6V / 36Ah  
**Item number OPT0106**



Charger (external) Lithium battery 25,6V / 10A  
**Item number OPT0013**



Battery guide (stainless steel)  
**Item number M0482**



Battery connector SB50  
**Item number M0105**



Belly button RED  
**Item number M0121-BBUT**



Switch buttons (2x) green  
**Item number M0121-KNOP-GROEN**



Switch tiller head excl. buttons  
**Item number M0121-FLIPPER**



Feather/shaft Throttle  
**Item number M0121-4**

## Most common spareparts



Switch FAST/SLOW  
tiller head green  
**Item number**  
**M0121-SPEED-GROEN**



Switch UP/DOWN  
tiller head green  
**Item number**  
**M0121-UPDOWN-GROEN**



Italsea drive controller  
in 24V / 36 bat,  
in 10A / Imax 45A  
**Item number** **M1122-SP**



Carbon brushes (set of 4)  
for Motor 420 - 800W  
**Item number** **M1037**



LED battery indicator  
**Item number** **M0123**

## Most common spareparts



Cable harness complete  
**Item number** **M1127-M050**



Fuse 5A  
**Item number** **M0506**



Fuse Maxi 40A  
**Item number** **M0254**



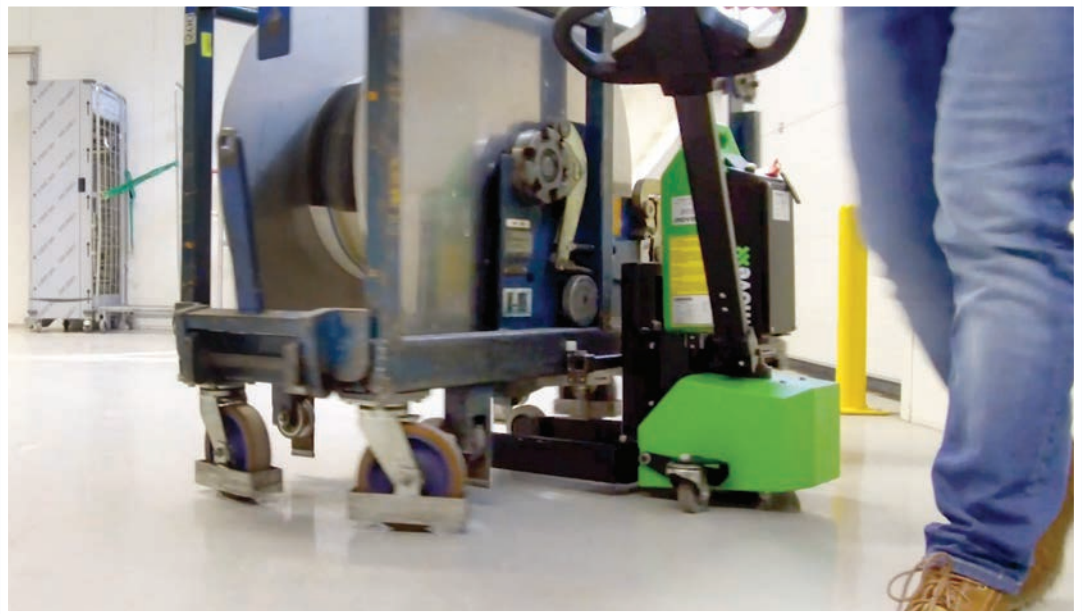
Motor 300W / 120rpm  
(6962234) with brake  
Blue polyurethane wheel  
Ø 200 x 60 mm  
**Item number** **M0940**



Castor wheel  
Gray Ø 80 mm  
**Item number** **M0119**



# applications



**moveXX**  
driven by brain power

Generatorstraat 17-19  
3903 LH Veenendaal  
The Netherlands

T +31 (0)318 519900  
E info@movexx.com  
W www.movexx.com

