



Movexx **BT4000**
PARTS & OPTIONS
2020

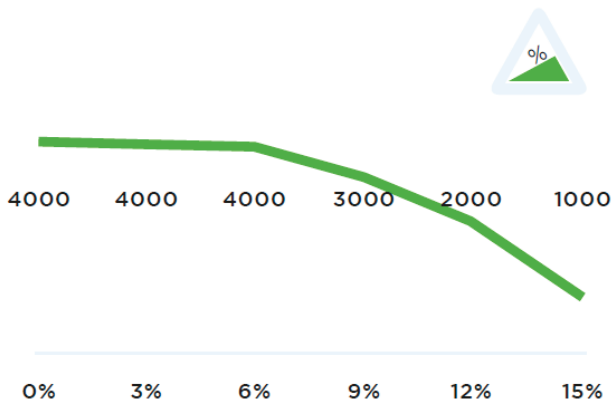
Specifications

Technical details

Frame	Steel, powder coated,
Drive	3000W, AC
Weight	680 kg (1499 lbs)
MAX Drawbar pull	4500N
Battery	Build in
Charger	Fronius 24V, 32Ah
Speed Max.	16km/h (9.9 mph)
Drive wheels	4.00-8 Full Rubber
Turning radius	1865 mm (73.4 in)
Step Height	300 mm (11.8 in)
Ground Clearance	100 mm (3.9 in)
To use from	-10° / 40° C (14° / 104° F)

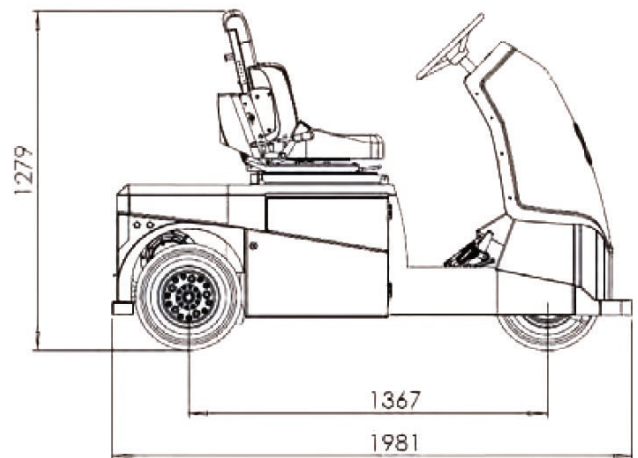
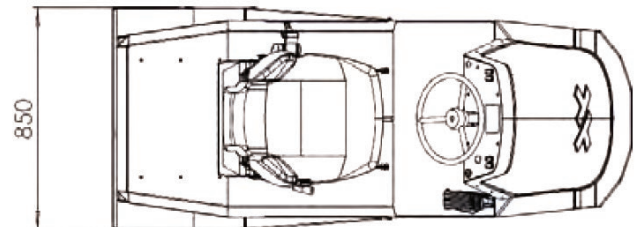
© 2020 Movexx International B.V. The images shown are used for illustration purposes only and may differ from the products indicated. No rights can therefore be derived from it. Printing errors are subjected to change. The datasheet is the confidential product of Movexx International B.V. and no portion of this datasheet may be copied, performed, or redistributed without the express written authority of Movexx International B.V.

Pulling power (in kg)

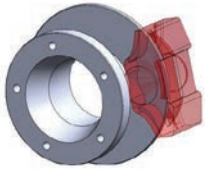


Measured with a trolley with 2 swivel wheels and 2 fixed castors. Wheel Ø 160 mm

Dimensions



Standard parts



Brake disk
Item number M2866



Shock absorber
Item number M2873



Sit contact on chair
Item number M2513



Traction Battery
24V / 300Ah / 5h
Item number M2884



Battery charger 24V, 32A
Item number M2935



Emergency stop complete
Item number M0130

Standard parts



Automatic battery filling system
Item number OPT0294

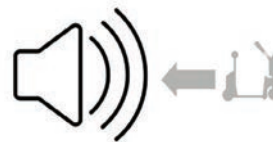
Opties



Blue safety spot
Item number 334486



Audio signal
(while driving)
Item number OPT0253



Audio signal
(driving backward)
Item number OPT0254



Hour tracker
Item number OPT0056

Options



Antistatic strip
Item number OPT0058



Code lock
Item number OPT0068



Ignition key (equal)
Item number OPT0146



On/off rotary switch
Item number OPT0016



Customized programming
Please indicate specific settings
Item number OPT0170



U-frame for waste container 1000 l. / 1100 l.
Item number OPT0088

Options



USB charger for phone and tablet
Item number OPT0315



Curve speed reduction
Item number OPT0283



Control panel (rear left side)
Item number OPT0284



Control panel (rear right side)
Item number OPT0285



Luxury chair with rail with sit contact
Item number OPT0523



Cabin
Item number M3152

Options



Advanced display
Item number OPT0286



Rear LED lights
Item number OPT0291



Work lamp
Item number OPT0292



7-pin trailer plug
Item number OPT0293



Battery liquid indicator
Item number OPT0314

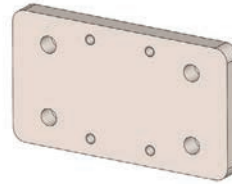


Roll system for
easy battery loading
Item number OPT0311

Options



Automatic trailer
coupling Ø 25 mm
Item number OPT0312



Adapter plate for
standard hook
Item number OPT0313

Batteries & Chargers



Traction Battery
24V / 300Ah / 5h
Item number OPT0365



Battery charger 24V, 32A
Item number OPT0366

applications



moveXX
driven by brain power

Generatorstraat 17-19
3903 LH Veenendaal
The Netherlands

T +31 (0)318 519900
E info@movexx.com
W www.movexx.com

